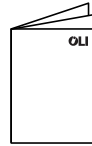
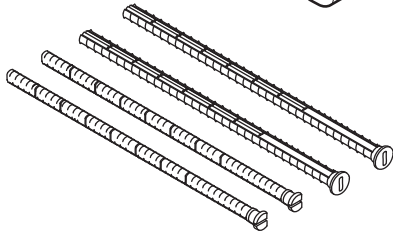
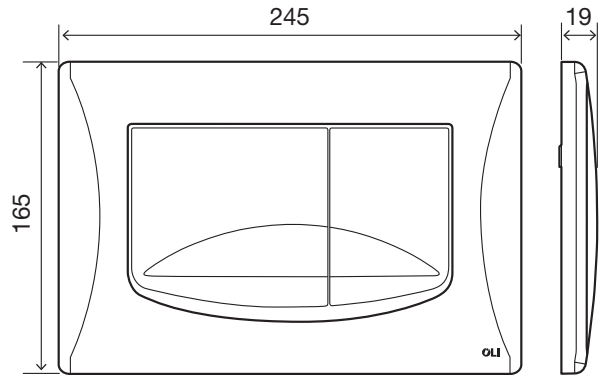
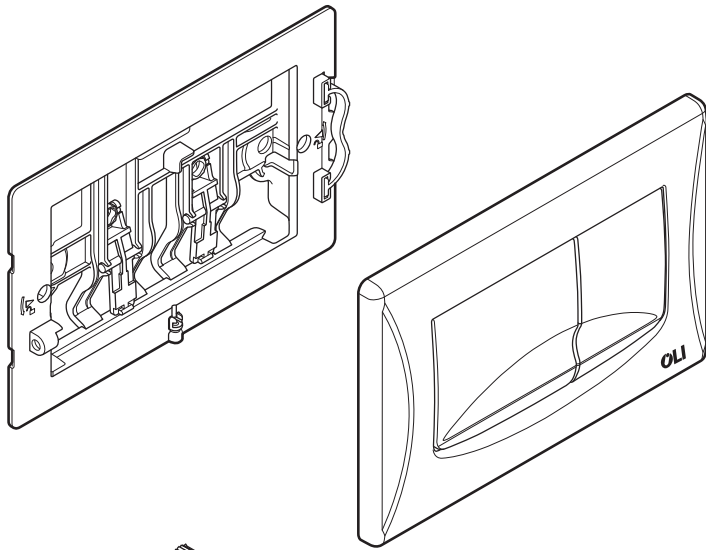
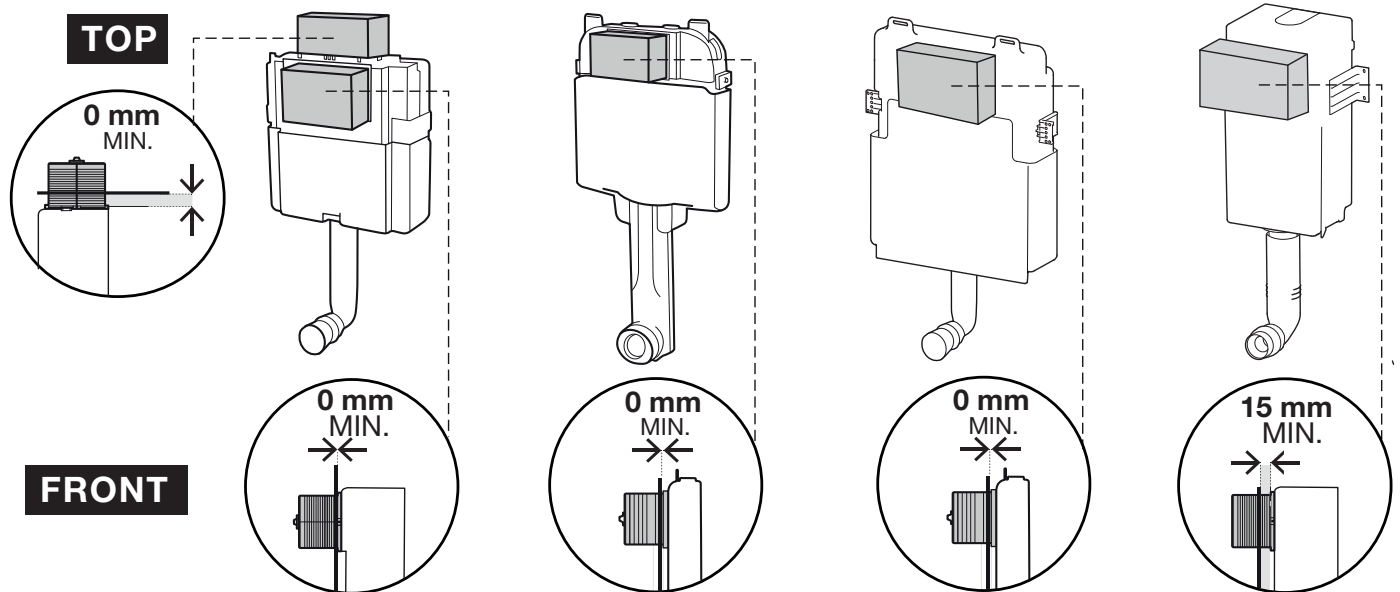


# RIVER DUAL

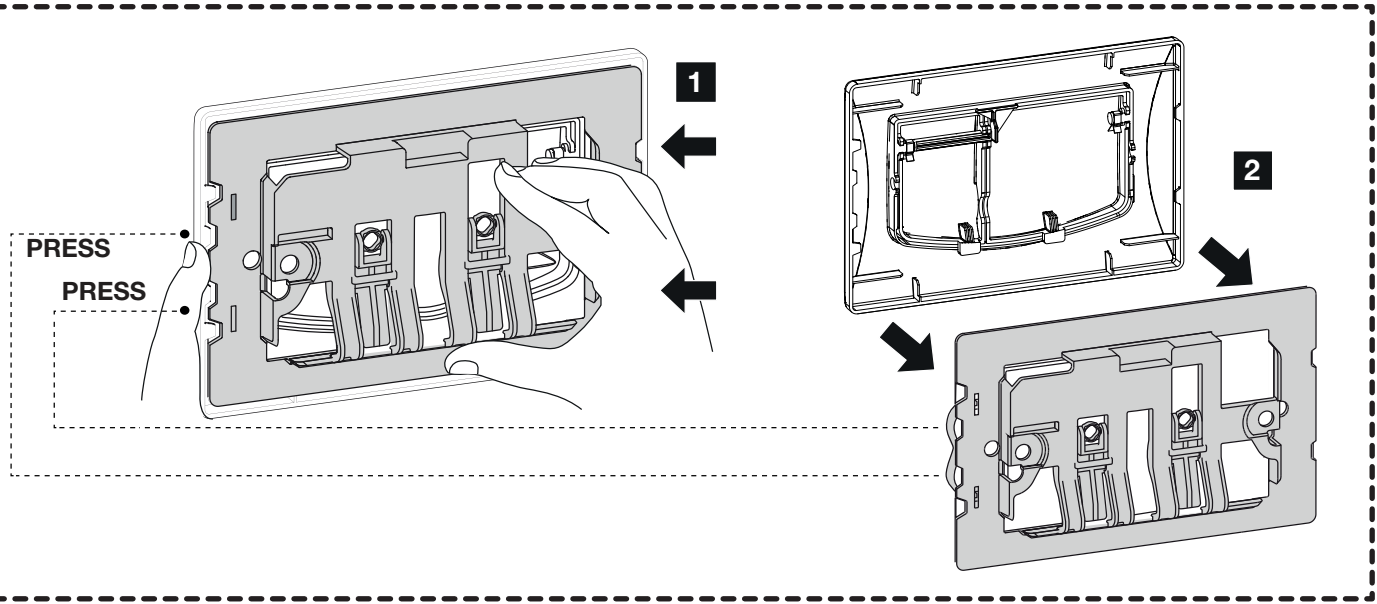
MECHANICAL



(dimensions in millimeters)



**i**

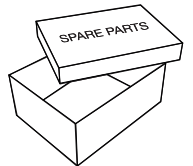
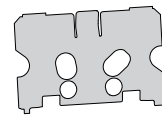
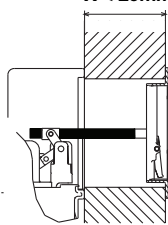
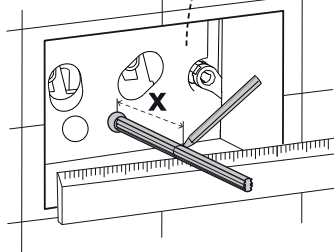
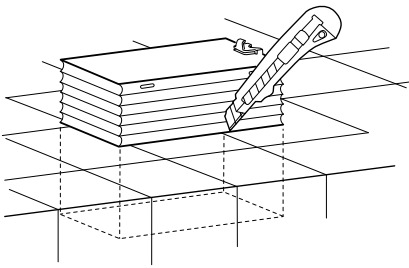


# 1A

**TOP**

$X < 20\text{mm}$

**i**

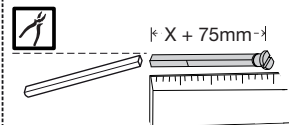
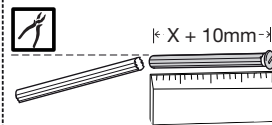


**2**

x2

**3**

x2

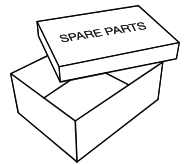
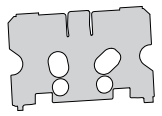
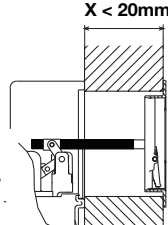
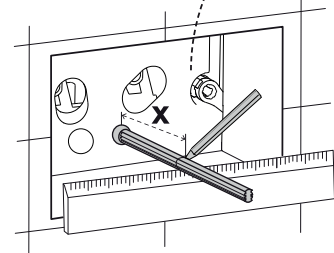
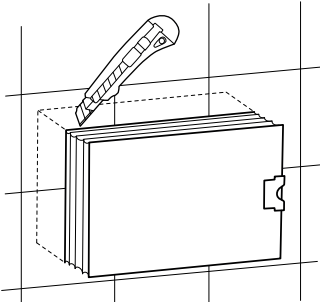


# 1B

**FRONT**

$X < 20\text{mm}$

**i**

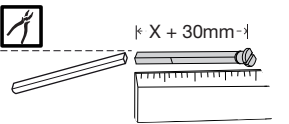
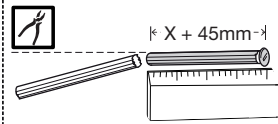


**2**

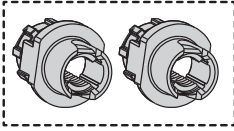
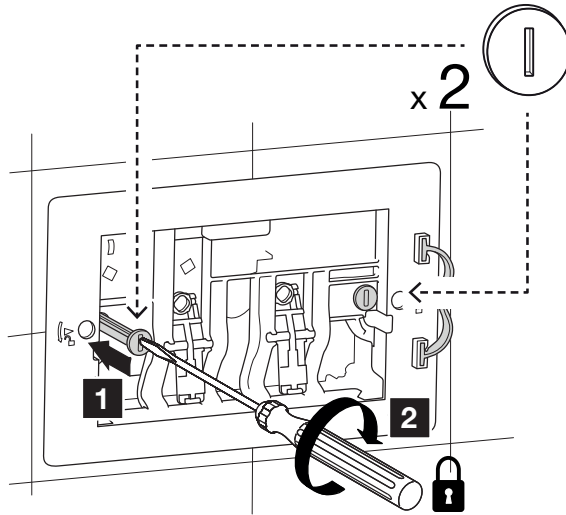
x2

**3**

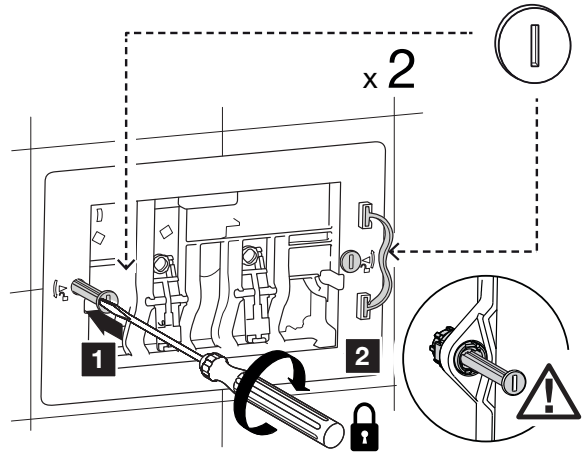
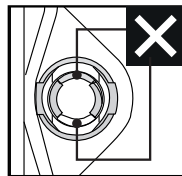
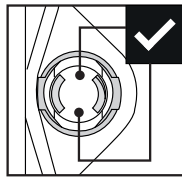
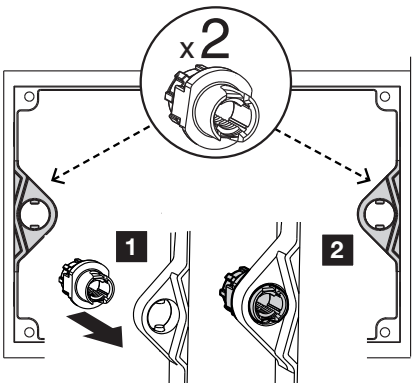
x2



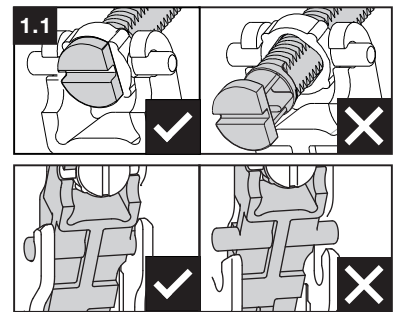
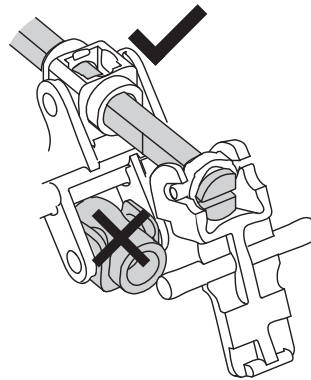
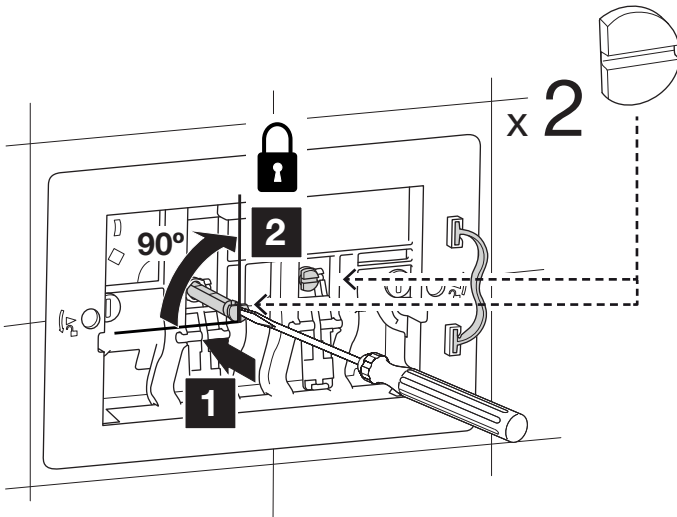
2



Cod.037152  
Fixation kit <09  
Order separately



3



4

