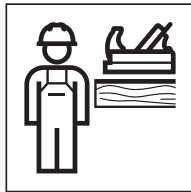
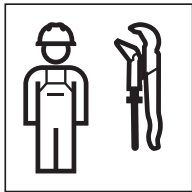


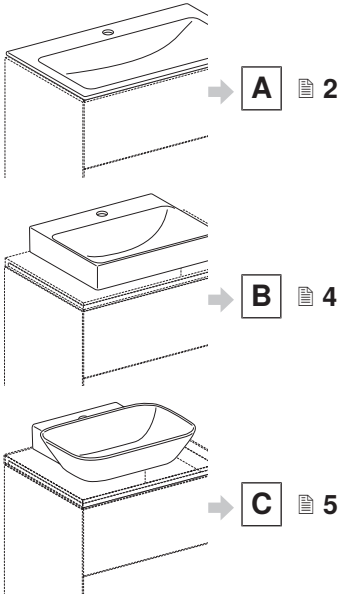
# INSTALLATION MANUAL

MONTAGEANLEITUNG  
INSTRUCTIONS DE MONTAGE  
ISTRUZIONI PER IL MONTAGGIO



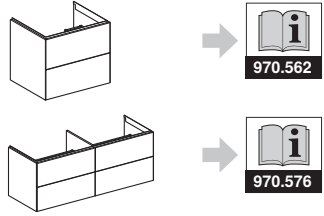
970.752.00.0(02)



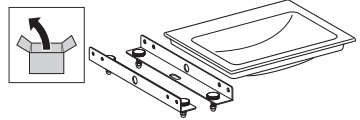


# A

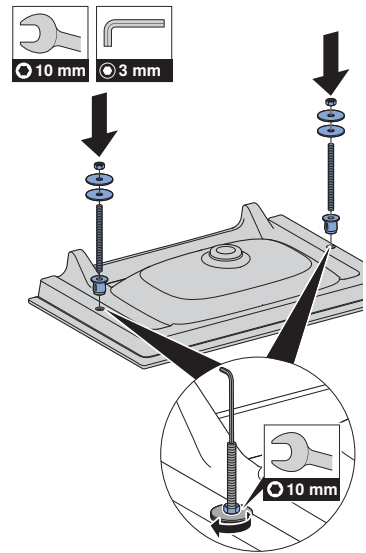
1



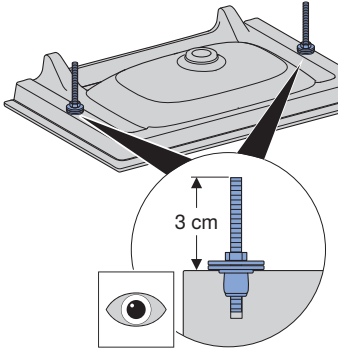
**i**



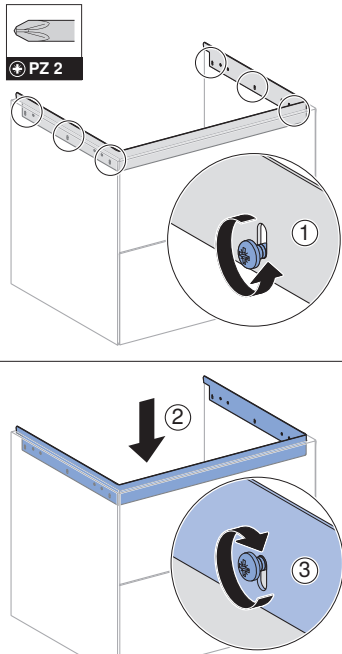
2



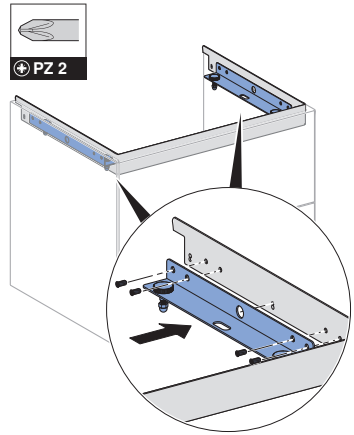
3



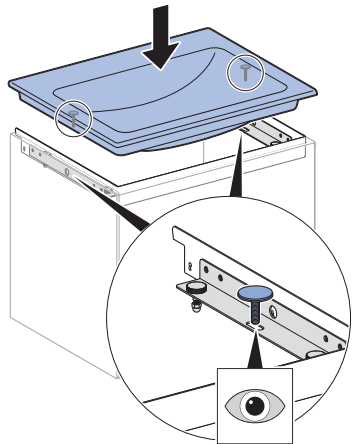
4



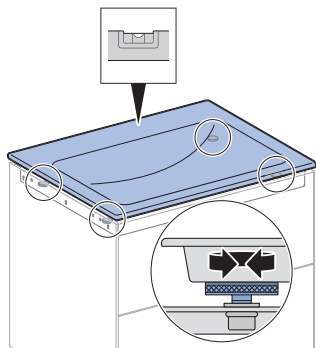
5



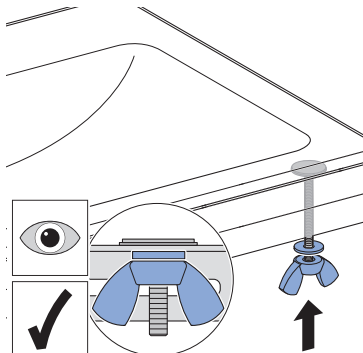
6



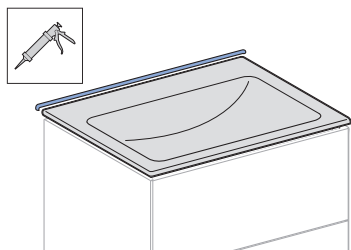
7



8

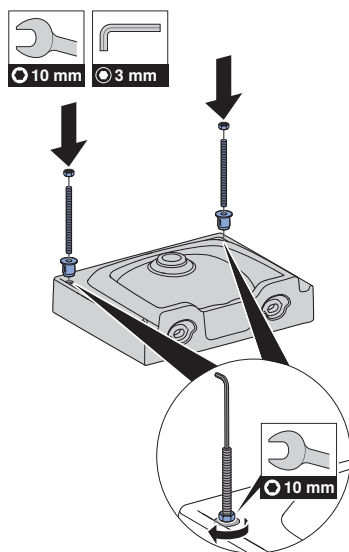


9

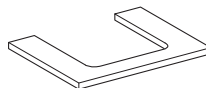
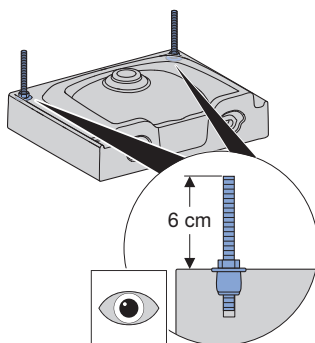


B

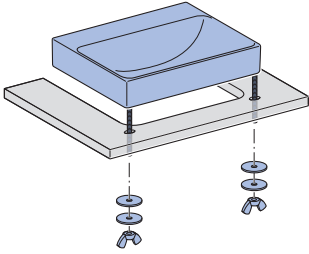
1



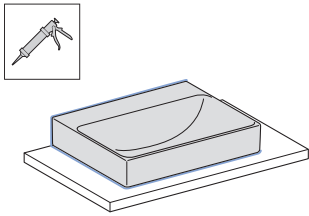
2



3

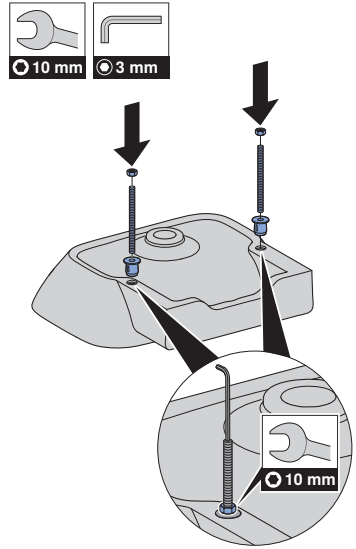


4

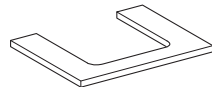
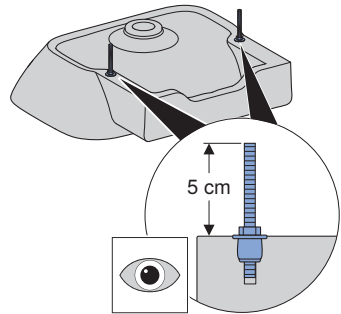


# C

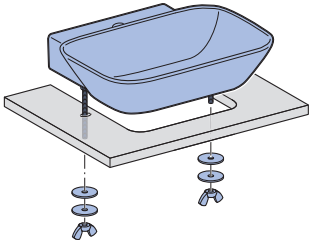
1



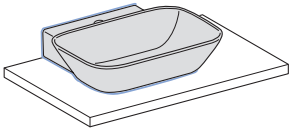
2



3



4





---

**Geberit International AG**  
**Schachenstrasse 77, CH-8645 Jona**  
**documentation@geberit.com**  
**www.geberit.com**

